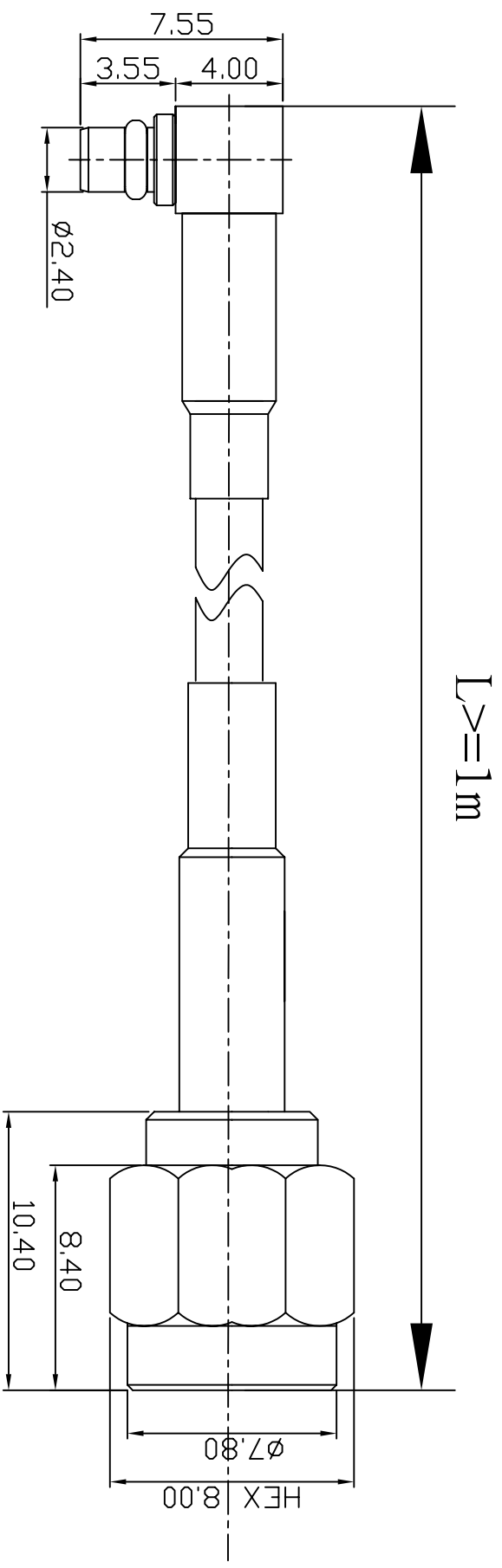
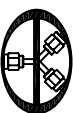


REV	DESCRIPTION	DRAWN	DATE



NO	Description	Qty	Material	Finish
3	SMA-1001-4-L-TGG	1	BRASS	GOLD
2	RG174/RG316/LLC100	1		
1	MMCX-802-1-L-TGG	1	BRASS	GOLD

1 REMOVE ALL BURRS 2 BREAK ALL CORNERS & EDGES CO.15 MAX. 3 CHAMFER 1ST & LAST THREADS 45° 4 DIAMETERS ON COMMON CENTERS TO BE CONCENTRIC WITH DIMENSIONS ARE AFTER PLATING. 5. ALL DIMENSIONS ARE AFTER PLATING.		*MAJOR DIMENSION UNLESS OTHERWISE NOTED TOLERANCES 0.5-6=±0.2 6-30=±0.4 30-120=±0.6 120-315=±1.0 ANGLES=±1°		APPROVED CHECKED DRAWN PEN		 華耀科技有限公司 <i>Hua Yao Technologies co.,Ltd</i> TITLE MMCX802-SMA1001 DRAWING NO. 8021/174/316/100/10014-AL REV A	
SCALE	4/1	UNIT	MM	DRAWN DATE	08/11/04	FILE	ND. D:\DWG\MMCX802-SMA1001\8021/174/316/100/10014-AL